

## Chapter 6 – Replacing Filters

The IQAir system is equipped with a filter life monitor which is designed to assist you in determining when a filter needs to be replaced. If the pollution load is high and the filter load indices are not set appropriately, there is a possibility that the filter may not be effective throughout the displayed life time.

For this reason it is important to look out for the signs of used up filters. The main signs are:

- Increased operating noise
- Decreased airflow
- Clogged filter
- Increased odour presence

### 6.1 Location of the Filter Elements

The IQAir system features a modular housing design which enables easy replacement of all filters in a matter of minutes. The illustration of the IQAir system on the right side of the control panel shows the positions of the individual filters. These positions correspond to the actual positions of the filters within the system.

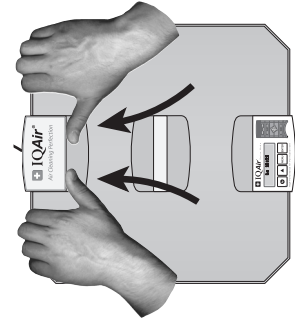
### 6.2 Ordering Replacement Filters

Please order the replacement filter elements from your point of purchase by quoting the name and the article number of the filter. Both can be found on the label of the individual filter element.

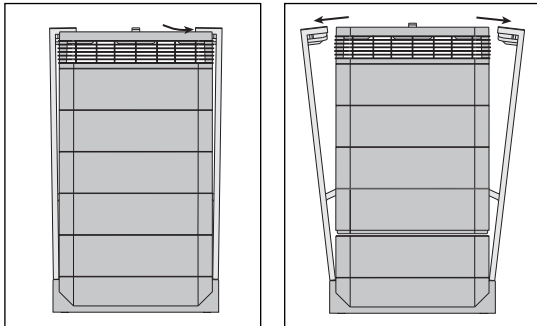
## 6.3 Opening and Closing the Housing

The stacked housing elements are held together by two locking arms that hook into the diffuser. To open the system follow the steps below.

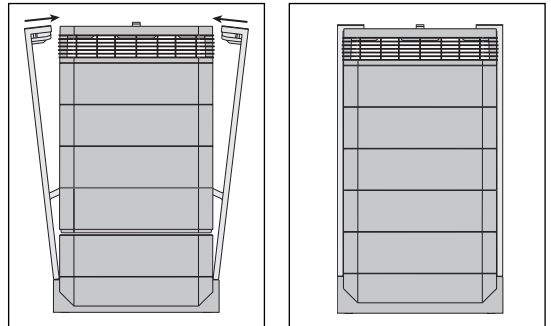
1. Disconnect the IQAir system from the power supply before attempting to open the system.
2. Press the first locking arm outward, using both thumbs as shown. Press just hard enough to release the arm from its snap-in position in the diffuser. Disengage the other arm in the same way.
3. Pull both locking arms evenly outwards until they snap into place and remain open. Access to all filter elements is now possible (to change a specific filter, refer to the appropriate section below).
4. To close the housing, simply push the locking arms inwards simultaneously until they snap back into the housing.



### Opening

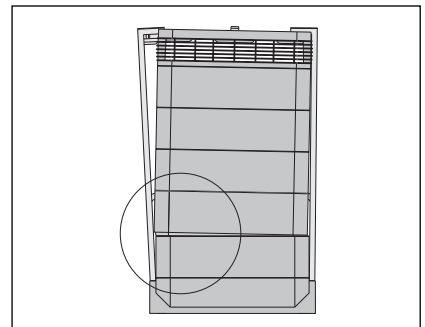


### Closing

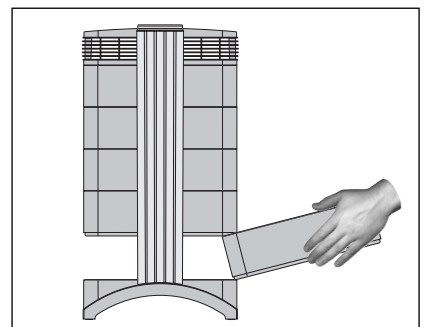
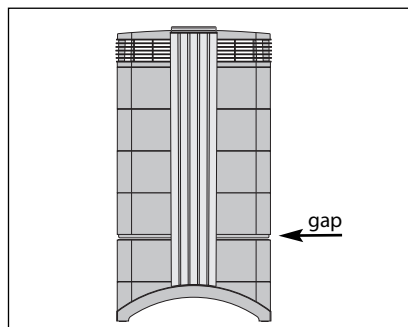
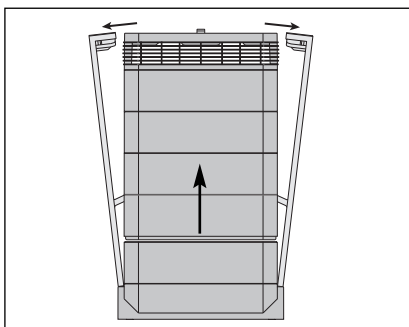


### 6.3.1 Troubleshooting when closing the Housing

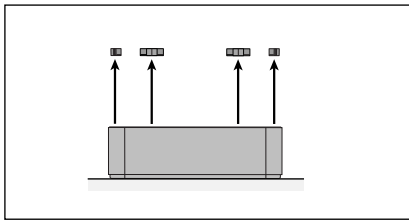
If the IQAir system does not close properly, the upper part of the system may be offset against the lower part. To solve this problem, simply open both locking arms again and push both locking arms in simultaneously.



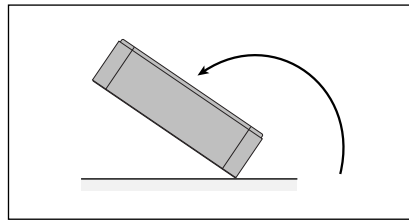
## 6.4 Replacing the Pre-Filter (Filter 1)



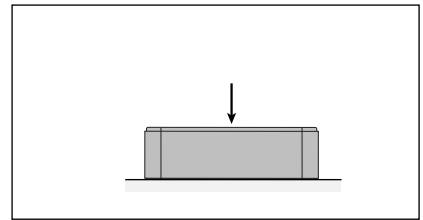
1. Open the locking arms, making sure they are fully extended outward. For details, refer to the section 6.3.
2. Opening the arms will cause the upper part of the housing to separate from frame 1. This will leave a narrow gap.
3. Place your hands on opposite sides of frame 1, lift it slightly and pull it out slowly. As the frame is withdrawn from the system, tilt it progressively upward to remove it completely.



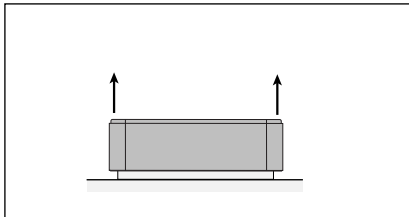
4. Remove the filter clamps that secure the filter in the frame, by pulling these out of the sliding grooves.



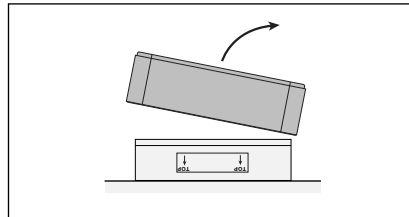
5. Turn the frame upside down.



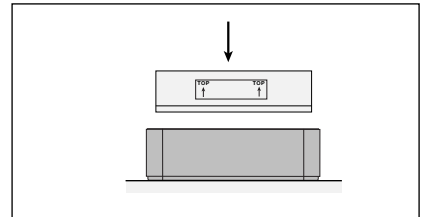
6. With the palm of the hand, press down on the filter and loosen the frame.



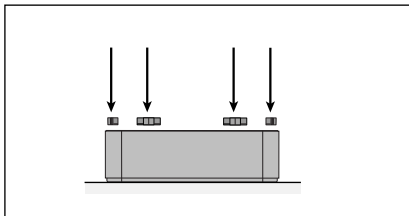
7. Lift the frame from the filter.



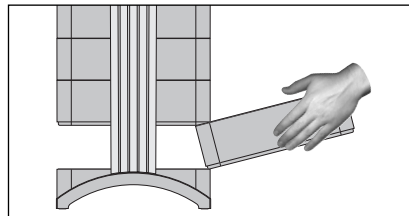
8. Dispose of the used filter by placing it into the plastic bag in which the new filter is supplied.\*



9. Turn the frame around and insert the new filter. Ensure that the arrows on the filter label point upward.



10. Make sure that the filter is inserted all the way into the frame. Insert the clamps into the sliding grooves inside the frame and push them down.

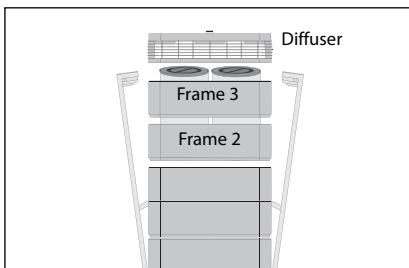


11. Put the frame back into the housing. For details on how to close the housing, please refer to the section 6.3.

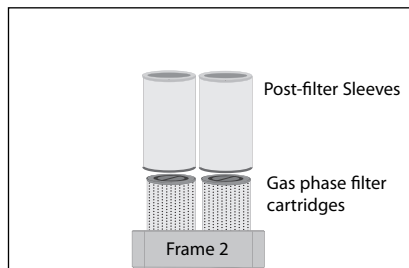
**Important:** After a filter has been replaced, the filter life monitor must be reset (see section 4.4.8).

\* If harmful substances are filtered, disposal of the used filters may be subject to local regulations or laws.

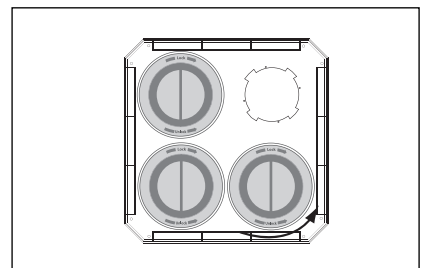
## 6.5 Replacing the Gas Phase Filter Cartridges and Post-Filter Sleeves (Filter 2 & 3)



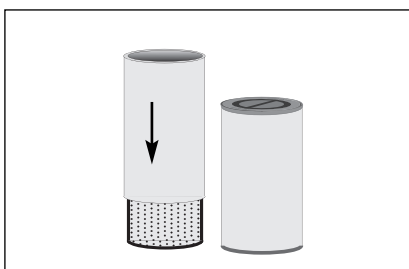
1. Open the locking arms, remove the diffuser and frame 3.



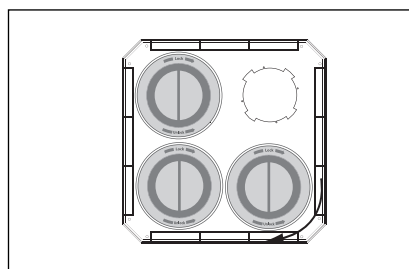
2. Frame 2 contains the four gas phase filter cartridges with the four post-filter sleeves. Remove frame 2 with the cartridges.



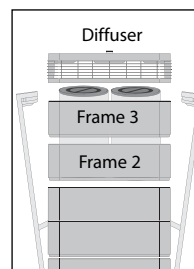
3. Twist each cartridge counter clockwise as far as it will go. It can then be lifted out of the base plate by hand.\*



4. Pull a new filter sleeve over each new cartridge until it is completely covered.



5. Insert the new cartridges in the base plate by turning the cartridge clockwise. Finally check that each cartridge is well secured in the base plate.



6. Replace frame 2 with the cartridges, frame 3 and the diffuser. Close the unit by pressing both arms together.

**Important:** After a filter has been replaced, the filter life monitor must be reset (see section 4.4.8).

## **6.6 Discarding Used Filters**

Used filters can normally be put into the regular household waste for disposal. If the system may have been exposed to potentially hazardous substances the filters may have to be disposed of as hazardous waste. Please refer to local regulations and laws.